



sound^{sation} WF-U1300

UHF TRUE DIVERSITY
WIRELESS MICROPHONE
SYSTEMS



USER MANUAL MANUALE UTENTE

*Please read this manual carefully and proper take care of this manual.
Leggete questo manuale e conservatelo per future consultazioni!*



Dear customer,

First of all thanks for purchasing a SOUNDSATION® product. Our mission is to satisfy all possible needs of musical instrument, professional audio and lighting users offering a wide range of products using the latest technologies.

We hope you will be satisfied with this item and, if you want to collaborate, we are looking for a feedback from you about the operation of the product and possible improvements to introduce in the next future. Go to our website www.soundsationmusic.com and send an e-mail with your opinion, this will help us to build instruments ever closer to customer's real requirements.

One last thing: read this manual before using the instrument, an incorrect operation can cause damages to you and to the unit. Take care!

The SOUNDSATION Team

Gentile Cliente,

Grazie per aver scelto un prodotto SOUNDSATION®. La nostra missione è quella di offrire ai nostri utenti una vasta gamma di strumenti musicali ed apparecchiature audio e lighting con tecnologie di ultima generazione.

Speriamo di aver soddisfatto le vostre aspettative e, se voleste collaborare, saremmo lieti di ricevere un vostro feedback sulla qualità del prodotto al fine di migliorare costantemente la nostra produzione. Visitate il nostro sito www.soundsationmusic.com ed inviateci una mail con la vostra opinione, questo ci aiuterà a sviluppare nuovi prodotti quanto più vicini alle vostre esigenze.

Un'ultima cosa, leggete il presente manuale al fine di evitare danni alla persona ed al prodotto, derivanti da un utilizzo non corretto.

Il Team SOUNDSATION

I. TABLE OF CONTENTS

1. UNPACKING	6
1.1. WF-U1300H	6
1.2. WF-U1300P	6
2. ACCESSORIES	6
3. OVERVIEW	6
3.1. WF-U1300H	7
3.2. WF-U1300P	7
4. MAIN FEATURES	7
5. RECEIVER CONTROL AND FUNCTIONS	8
5.1. Receiver Display	9
6. RECEIVER INSTALLATION	10
7. SYSTEM SETUP	10
7.1. Channel Setup Mode	10
7.2. Auto Search Mode	11
7.3. ACT Function	11
7.4. Transmission Power Setting	12
8. HAND-HELD MICROPHONE	13
8.1. Hand-held Microphone Using Technique	14
9. POCKET TRANSMITTER AND HEADSET	15
10. AUDIO CONNECTIONS	16
11. WF-RACK KIT1 AND KIT2	17
11.1. WF-RACK KIT1	17
11.2. WF-RACK KIT1 Assembling	18
11.3. WF-RACK KIT2	18
11.4. WF-RACK KIT2 Assembling	19
12. SPECIFICATIONS	20
13. FREQUENCY TABLE	21
14. WARRANTY AND SERVICE	23
15. WARNING	23
16. DECLARATION OF CONFORMITY	46

IMPORTANT SAFETY SYMBOLS



The symbol is used to indicate that some hazardous live terminals are involved within this apparatus, even under the normal operating conditions, which may be sufficient to constitute the risk of electric shock or death.



The symbol is used in the service documentation to indicate that specific component shall be replaced only by the component specified in that documentation for safety reasons.



Protective grounding terminal



Alternating current/voltage



Hazardous live terminal

ON

Denotes the apparatus is turned on

OFF

Denotes the apparatus is turned off

WARNING:

Describes precautions that should be observed to prevent the danger of injury or death to the operator.

CAUTION:

Describes precautions that should be observed to prevent danger of the apparatus.

TAKING CARE OF YOUR PRODUCT

- ▶ Read these instructions
- ▶ Keep these instructions
- ▶ Heed all warning
- ▶ Follow all instructions

WATER / MOISTURE

The apparatus should be protected from moisture and rain and can not be used near water; for example near a bathtub, a kitchen sink, a swimming pool, etc.

HEAT

The apparatus should be located away from heat sources such as radiators, stoves or other appliances that produce heat.

VENTILATION

Do not block areas of ventilation opening. Failure to do could result in fire. Always install according to the manufacturer's instructions.

OBJECT AND LIQUID ENTRY

Objects do not fall into and liquids are not spilled into the inside of the apparatus for safety.

POWER CORD AND PLUG

Protect the power cord from being walked on or pinched particularly at plugs, convenience receptacles, and the point where they exit from the apparatus. Do not defeat the safety purpose of the polarized or grounding-type plug. A polarized plug has two poles; a grounding-type plug has two poles and a third grounding terminal. The third prong is provided for your safety. If the provided plug does not fit into your outlet, refer to an electrician for replacement.

POWER SUPPLY

In case of external power supply, the apparatus should be connected to the power supply only of the type as marked on the apparatus or described in the manual. Failure to do could result in damage to the product and possibly the user. Unplug this apparatus during lightning storms or when unused for long periods of time.

FUSE

To prevent the risk of fire and damaging the unit, please use only of the recommended fuse type as described in the manual. Before replacing the fuse, make sure the unit turned off and disconnected from the AC outlet.

ELECTRICAL CONNECTION

Improper electrical wiring may invalidate the product warranty.

CLEANING

Clean only with a dry cloth. Do not use any solvents such as benzol or alcohol.

SERVICING

Do not implement any servicing other than those means described in the manual. Refer all servicing to qualified service personnel only. Only use accessories/attachments or parts recommended by the manufacturer.

WARNING

Please remember the high sound pressure do not only temporarily damage your sense of hearing, but can also cause permanent damage. Be careful to select a suitable volume.

INTERFERENCE FROM CELL PHONE

Using a cell phone near the wireless system can induce noise. If this accours, move the cell phone further away from the components of the wireless system.

2. UNPACKING


WF-U1300 system is composed by following parts:

2.1. WF-U1300H

- ▶ 1x Receiver
- ▶ 1x External Power Adapter
- ▶ 1x Hand Transmitter
- ▶ 2x 1.5V AA-Type Batteries
- ▶ 2x Antennas
- ▶ This User Manual

2.2. WF-U1300P

- ▶ 1x Receiver
- ▶ 1x External Power Adapter
- ▶ 1x Pocket Transmitter
- ▶ 1x Headset Microphone
- ▶ 2x 1.5V AA-Type Batteries
- ▶ 2x Antennas
- ▶ This User Manual

 **ATTENTION: Packaging bag is not a toy! Keep out of reach of children!!!**
Keep in a safe place the original packaging material for future use.

3. ACCESSORIES

SOUNDSATION can supply a wide range of quality accessories that you can use with your WIREFREE Series wireless microphone system, like Cables, Mixers, Speakers, Amplifiers, Stands, etc.

All products in our catalogue has been long tested with this device so we recommend to use Genuine SOUNDSATION Accessories and Spare Parts.

Ask your SOUNDSATION dealer for any accessories you could need to ensure best performance of the product.

4. OVERVIEW

WF-U1300 is a UHF True Diversity professional wireless microphone with 300 channels and a simple and intuitive user interface. “True Diversity” means that the receiving system is equipped with two antennas, two receive circuits and a device capable of

continuously choose the stronger and interference-free signal.

This system is built with leading technology that allows the integration of many of the major functions - such as amplification section, digital signal processing, PLL (Phase-Locked Loop) frequency synthesis, and more - into a single CHIP. This allows us to offer highly professional performance yet cost-effective products.

The WF-U1300 is also equipped with the automatic frequency search system and IR sync. system for channel synchronization between receiver and transmitter in a quick way. Furthermore, the Digital Pilot Technology not only allows to monitor reception level and battery charge, but even to operate with multiple systems without problems.

Finally, there are two optional kit for rack mounting of 1 or 2 receivers, respectively, on 1 or 2 standard 19" rack units. Ask your dealer or visit SOUNDSATION website www.soundsationmusic.com for further details.

WF-U1300 systems are available in 2 configurations:

4.1. WF-U1300H

- 1x UHF True Diversity Receiver
- 1x Hand Transmitter with Professional Dynamic Cardioid Capsule

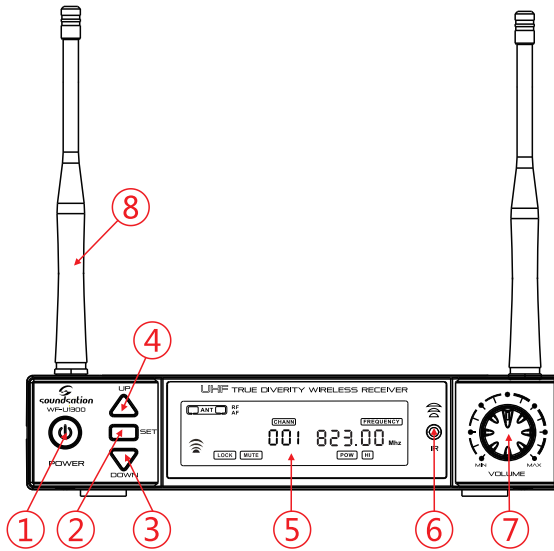
4.2. WF-U1300P

- 1x UHF True Diversity Receiver
- 1x Pocket Transmitter
- 1x Headset Microphone with Professional Dynamic Cardioid Capsule

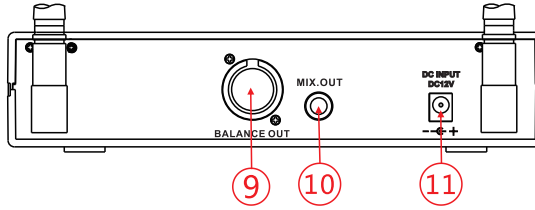
5. MAIN FEATURES

- ▶ UHF True Diversity Technology to Avert Interferences
- ▶ 300 Preset Frequencies and IR Matching System for Quick Setup
- ▶ 823-832MHz UHF Band
- ▶ Simple and Outright User Interface with LCD display on Transmitter and Receiver
- ▶ Digital Pilot Technology to allow multi system Operation
- ▶ Transmitter AF-level and Battery-Low Monitoring directly on the Receiver
- ▶ 80m Ideal Distance (without obstacles)
- ▶ Professional Hand held Microphone with Dynamic Cardioid Capsule (WF-U1300H model)
- ▶ Body pack with Connector Locking System (WF-U1300P model)
- ▶ Professional and Lightweight Headset with High-Sensibility Dynamic Cardioid Capsule (WF-U1300P model)
- ▶ Rack-Mount Kit for 1 or 2 receiver units to 1x or 2x 19" rack unit (optional)

6. RECEIVER CONTROL AND FUNCTIONS

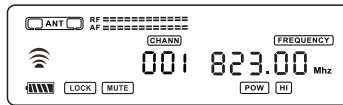


1. **Power Switch:** It switches on and off the receiver. Please notice that LOCK function is active at power on. Hold SET button for a few seconds to unlock the receiver and access to the parameters (refer to the section “8. SYSTEM SETUP” at page 10 for details).
2. **Set Button:** It access to all editing functions, etc. (See section “8. SYSTEM SETUP” at page 10 for further details).
3. **DOWN Button:** During editing, it increases current parameter’s value.
4. **UP Button:** During editing, it decreases current parameter’s value.
5. **LCD Display:** It shows all functions and allows easy and intuitive programming of all parameters.
6. **ACT Window:** It is the infrared sensor used to synchronize the operating channel between receiver and transmitter.
7. **Volume Knob:** It increases or decreases the output level of BALANCED and MIX outputs.
8. **Antennas:** They receive RF signals from the transmitter. It’s important to always plug the two supplied antennas to their connectors on rear panel, taking care to screw them all the way, and ensure maximum receiving capacity of the system.



- 9. **Balance Output:** It is the balanced XLR audio line output to connect to your mixer or audio system. For more details about the internal wiring of balanced cables, refer to paragraph “11. AUDIO CONNECTIONS” at page 16.
- 10. **Mix Output:** It is the unbalanced audio line output with 1/4” Jack to use in case of connection to mixers or audio equipment with unbalanced connections.
- 11. **DC Input:** Connect here the external power supply (12Vdc – 500mA min.)

6.1. Receiver Display



It indicates which of the two antennas is receiving the best signal.

Soundstation WF-U1300 operates with true diversity technology; this means that the receiver has inside two independent receiving circuits, each with its own antenna. Depending on the position of the transmitter, possible obstacles and its distance from the receiver, the WF-U1300 chooses the best radio signal, always ensuring impeccable sound quality.

RF ===== This bar indicates radio signal level

AF ===== This bar indicates audio signal level

CHANN
001 It indicates current channel, there are 300 channels available.

FREQUENCY
823.00 Mhz It indicates the frequency currently used. There are 300 available frequencies. Refer to “14. FREQUENCY TABLE” (page 21) for the correspondence between frequencies and channels.

This icon shows the battery level of hand-held or pocket transmitter.

When flashes, this icon indicates that ACT function (IR channel synchro-

nization between receiver and transmitter) is active.

LOCK

It indicates that all keys are locked, long press SET button to unlock.

POW **HI** **LO**

These icons Indicate that the signal level from your hand-held or pocket transmitter is, respectively, high (“HI” is on) or low (“LO” is on).

7. RECEIVER INSTALLATION

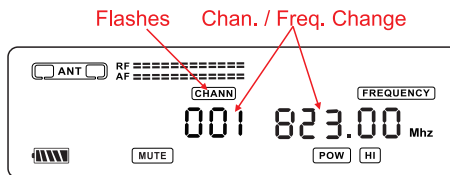
- ▶ Install the two antennas and place them perpendicularly.
- ▶ Connect the supplied power adapter to the DC power supply socket (11).
- ▶ Connect the balanced audio output (9) or the unbalanced (10) to your mixer or sound system, using the appropriate cables (see section “11. AUDIO CONNECTIONS” at page 16 for further details).
- ▶ Turn on the receiver by pressing the POWER button (1); the LCD (5) will light up showing the current settings of the system.

8. SYSTEM SETUP

Please notice that when you switch the receiver on LOCK function is active. Hold for a few seconds SET button to unlock and have access to all parameters. LOCK icon will turn off.

 **NOTE: In addition to the active LOCK function, at power on the receiver is even muted (MUTE icon flashes in the display) until you turn on the transmitter and align it on the same receiver’s channel.**

8.1. Channel Setup Mode



After unlocking the receiver, the LOCK icon will turn off and the CHANN icon flashes, indicating that you can choose one of the 300 available channels.

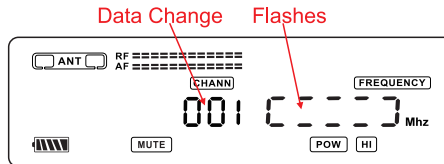
- ▶ Press the UP or DOWN buttons to increase or decrease the channel number and its associated frequency.
- ▶ Once you have located an interference-free channel, press and hold for about 2 seconds the SET key to switch to the ACT mode and transmit the channel to the transmitter.

- NOTE:** If during channel selection you do not press any button for about 10 seconds, the system automatically returns to the LOCK mode. It is therefore necessary to unlock the receiver again to re-access channel setup mode.

8.2. Auto Search Mode

SOUNDSTATION WF-U1300 is equipped with a useful auto scan function of the frequencies. This allows you to always choose those channels with less problems and make setting operations extremely quick.

- ▶ To automatically perform a frequency scan, unlock - if not already done - the receiver by holding for a few seconds SET button (LOCK icon disappears).
- ▶ Then briefly press SET button again to enter auto search mode. The display shows the following screen:



- ▶ Press the UP or DOWN buttons to search for free frequencies. Channel number will increase (if you press UP) or decrease (if you press DOWN) until the first free frequency is reached. Auto Research icon flashes.
- ▶ Once the frequency is reached, press SET button to move to next step and send channel information via IR (ACT function, see next section).

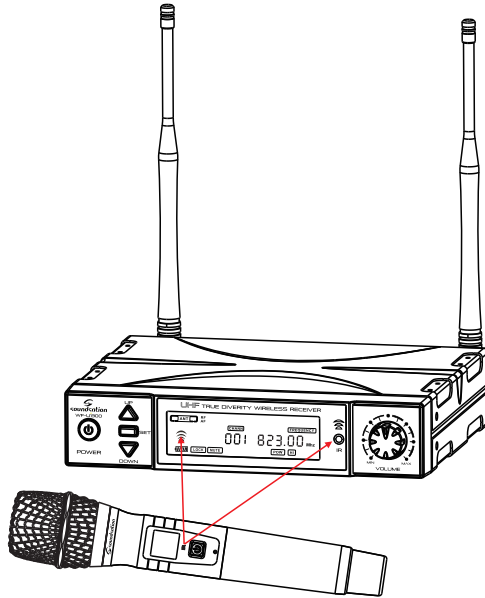
- NOTE:** If you do not press any buttons for about 10 seconds, the automatic search icon goes off and the system returns to channel setting mode. If, after the receiver is back to channel setting mode (CHANN icon is flashing) you do not press any button for other 10 seconds, the system automatically returns to LOCK mode.

8.3. ACT Function

The WF-U1300 comes with an infrared transmission system between receiver and transmitter that easily sends all settings to your hand-held or pocket transmitter. To activate the ACT function:

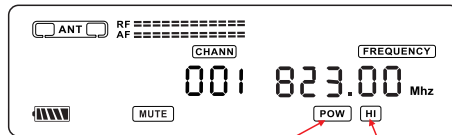
- ▶ Turn on the receiver and hold for a few seconds SET key to unlock it. LOCK icon will turn off.
- ▶ Press UP or DOWN to manually increase or decrease channel number or press SET again to enter the Auto Search Mode (in the latter case, press UP or DOWN to search for the first free frequency).
- ▶ Press and hold for about 2 seconds SET key again to enter ACT mode and transmit

all channel information to the transmitter. ACT icon will flash for about 10 seconds.



- ▶ Bring the hand-held or pocket transmitter as close as possible to the receiver’s IR sensor (refer to paragraphs “9. HAND-HELD MICROPHONE” at page 13 and “10. POCKET TRANSMITTER AND HEADSET” at page 15 for details) located on the right side of the display.
- ▶ Once the transmitter is “hooked”, ACT icon stops blinking; MUTE icon turns off, BATT. and POW HI icons light up, indicating that the system is now working properly.
- ▶ The display on the transmitter shows the same channel set on the receiver and the HI icon indicates a good radio signal.
- ▶ After about 10 seconds, the system automatically returns to LOCK mode. At this point the system is fully set and ready to operate.


8.4. Transmission Power Setting



Flashes Adjust HI or LO

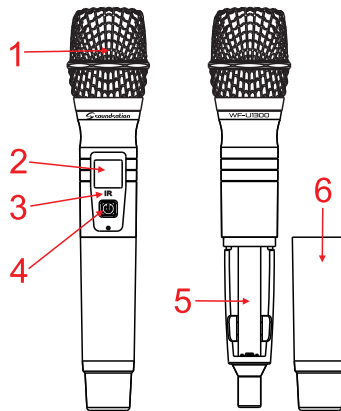
- ▶ When POW icon flashes on receiver’s display (usually followed by LO), press UP or DOWN buttons to adjust transmission power: “HI” stands for good power; “LO”


stands for low power.

-  **NOTE:** Turn down the transmit power of a wireless system may seem a contradiction. Normally radio interference cause audio noises because of poor power, but this is not always true. In fact, sometimes a transmitter too close to the receiver can create problems. In these cases, it may be better to reduce transmission power in order to cancel these problems.

9. HAND-HELD MICROPHONE

WF-U1300H system features a hand-held transmitter with professional dynamic cardioid capsule.

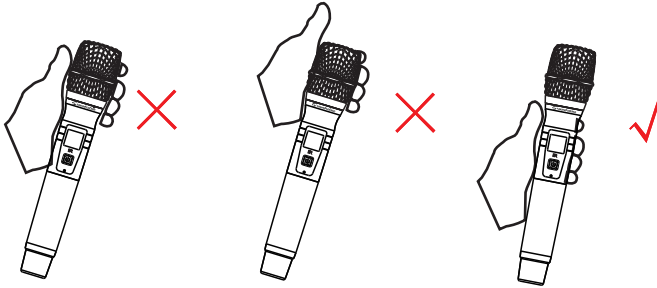


1. **Grille:** It protects the microphone capsule. Never remove it to prevent damage to the internal parts of the microphone.
 2. **LCD Display:** This back-lit display shows all important information related to settings, as well as the battery charge level.
-  **NOTE:** After about 5 seconds the back-light is lowered, reducing battery consumption. The lighting returns to increase each time you press Power button.
3. **ACT Window:** During ACT mode, bring this part of the transmitter close to the receiver's IR sensor to complete the operation.
 4. **Power button:** Press and hold this button for about 2 seconds to turn on or off the microphone.
 5. **Battery Slot:** Insert two 1.5V AA-Type batteries, paying attention to correct polarity (indicated on bottom of this battery compartment).
 6. **Battery Slot Cover:** Remove this cover to access the battery-compartment and

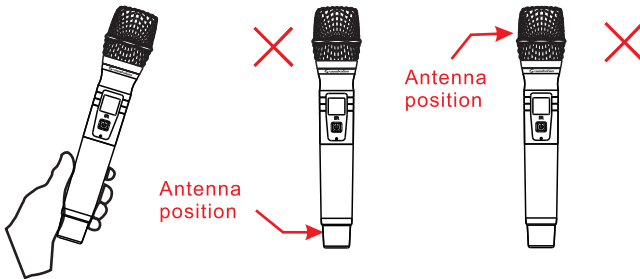
insert or replace the batteries.

9.1. Hand-held Microphone Using Technique

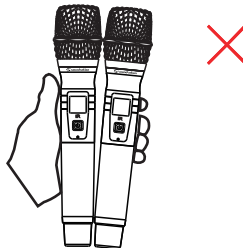
- ▶ Don't hold the microphone grill.



- ▶ Avoid holding the microphone on antenna position.



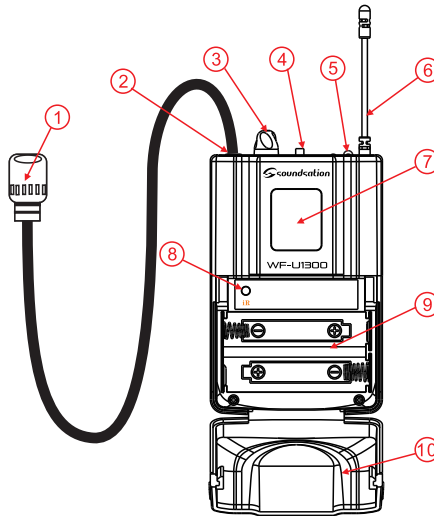
- ▶ Don't hold two microphones together




 **ATTENTION: Operating distance between microphone grill and mouth must be less than 15cm**

- ▶ Avoid direct the microphone toward a speaker to avoid Larsen effect, which could damage your audio system.

10. POCKET TRANSMITTER AND HEADSET



1. Microphone: WF-U1300P system features a headset microphone with professional cardioid dynamic capsule.
2. Microphone Input: Plug here the headset audio connector. Please notice that this connector is equipped with security threads, to prevent it from coming off during use.
3. Volume: Adjust the audio input level of the transmitter. Use this knob to adapt microphone signal level in order to prevent distorted sound.
4. POWER Button: This selector has 3 positions. When it's all to the OFF position, the microphone is turned off; when it is in the central position, the microphone is active but the audio is disabled; finally, when it's all to ON position, the microphone is working and the audio is active.

 **NOTE: Standby central position allows the unit to transmit without audio. This option is important to prevent interference in the receiver due to the absence of a radio transmitting signal. It is, therefore, suggested to ALWAYS use this standby position when you temporarily don't sing or play but the wireless microphone is connected to an audio system (e.g. during a pause in a show). You can move the switch to OFF position (all down) only when you are sure that the sound system volume is low.**

5. Power LED: It lights up when the transmitter is on.
6. Antenna: It transmits the radio signal. Be careful not to bend or break this terminal.

7. LCD Display: The back-lit display shows all important information relating to settings, as well as battery charge level.

NOTE: After about 5 seconds the back-light is lowered, reducing battery consumption. The lighting returns to increase each time you press the Power button.

8. ACT Window: During ACT mode, bring this part of the transmitter close to the receiver's IR sensor to complete the operation.

9. Battery Slot: Insert two 1.5V AA-Type batteries, paying attention to correct polarity (indicated on bottom of this battery compartment).

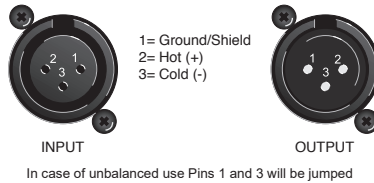
10. Battery Slot Cover: Open this cover to access to insert or replace the batteries. Following the instructions for their replacement:

- ▶ Apply a slight pressure at the top of the door (10) and pull down.
- ▶ Insert or replace the batteries in the compartment, observing the +/- polarity marked on the bottom.
- ▶ Close the cover to prevent batteries to be lost during use.

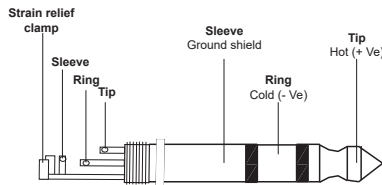
II. AUDIO CONNECTIONS

You need XLR balanced cables for connections to your audio equipment. See the pictures below that show the internal wiring of these cables. Be sure to use only high quality cables (visit our website www.soundstationmusic.com for further details).

Balanced use of XLR connectors



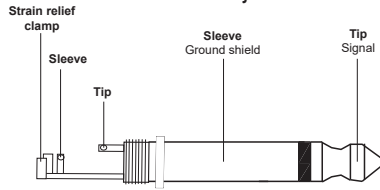
Balanced use of 1/4" jack TRS connector



You can, of course, connect even unbalanced equipment to balanced outputs. Use ei-

ther mono and stereo jack, making sure ring and collar are connected together (or pins 1 & 3 in the case of XLR connectors).

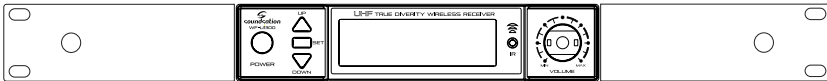
Unbalanced use of 1/4" jack TS connector



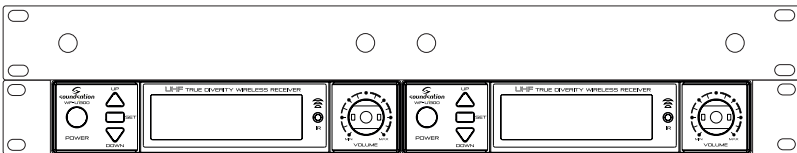
12. WF-RACK KIT1 AND KIT2

WF-U24 series receiver units can be mounted in 19" standard rack units using optional kits (contact your dealer or go to www.soundsationmusic.com for more details) to adapt the receiver to any 19" rack. 2 different kits are available:

- ▶ **WF-RACK KIT1:** To set one SOUNDSATION WIREFREE series receiver in one 19" rack unit.

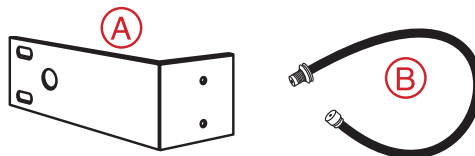


- ▶ **WF-RACK KIT2:** To set two SOUNDSATION WIREFREE series receivers in two 19" rack units.



12.1. WF-RACK KIT1

The kit includes:

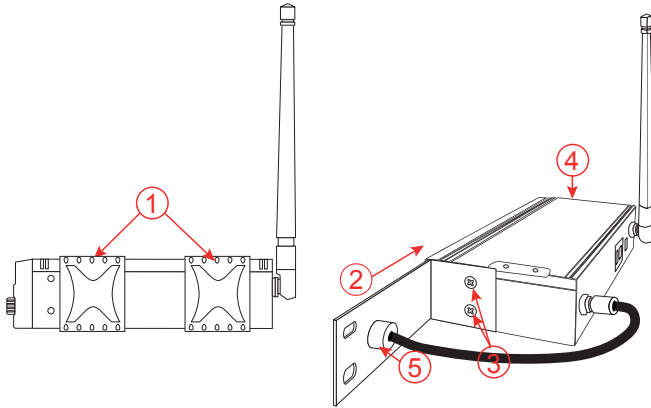


- A. 2x 1/4 rack unit adapter
- B. 2x Extension cables for Antenna

C. 4x Screws to fasten the receiver to the two rack adapters

 **NOTE: The kit doesn't include screws to fasten the whole block (receiver and adapters) to the 19" rack chassis.**

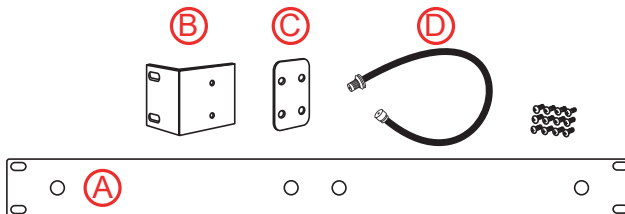
12.2. WF-RACK KIT1 Assembling



1. Remove the two plastic parts on each of the two sides of the receiver.
2. Place the A adapter so that the two lateral holes match those on the receiver side.
3. Fasten the adapter using two screws as shown in the following picture.
4. Repeat steps 1 to 3 of this section on the other side of the receiver.
5. Unscrew the two rear antennas and insert extension cables supplied with the kit. Then attach the other end to the panel in order to place the antennas outside the rack. The same operation must be performed for both antennas.

12.3. WF-RACK KIT2

The kit includes:



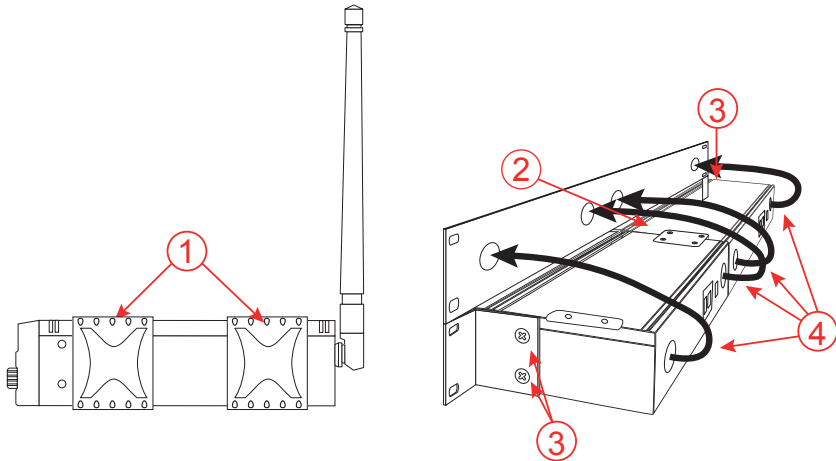
- A. 1x 19" rack panel

- B. 2x Lateral brackets
- C. 4x Receiver's coupling brackets
- D. 4x Extension cables for Antenna
- E. 12x Screws to fasten the two receiver each other and then to the rack adapters

 **NOTE: The kit doesn't include screws to fasten the whole block (receiver and adapters) to the 19" rack chassis.**

12.4. WF-RACK KIT2 Assembling

1. Remove the 4 plastic parts on two sides of the receivers.
2. Place the two receivers so that the holes on the upper and lower part coincide as shown in previous picture and attach one coupling bracket on the top and one on the bottom of the receivers using the supplied screws.
3. Place the lateral brackets respectively on the left and right side of the two connected receivers using the supplied screws.
4. Unscrew the four antennas and insert extension cables supplied with the kit. Then attach the other end to the rack panel as shown in the picture.



13. SPECIFICATIONS

SYSTEM	
Carrier Frequency:	UHF823-832MHz
Frequency Stabilization:	< ± 30 ppm
Dynamic Range:	>90dB
Total Harmonic Distortion:	<0.5%
Frequency Response:	40Hz-15KHz ± 3 dB
Audio Output Level:	Balanced 400mV; Unbalanced 400mV
Packing Dimensions (WxHxD):	435 x 104 x 321 mm
Packing Gross Weight:	2.5 kg
RECEIVER	
Power Supply:	DC 12V / 500mA
Consume Power:	5W
Signal/Noise Ratio:	>90dB
Receiving Sensitivity:	5dBuV
De-Emphasis:	75uS
Dimensions (WxHxD):	210 x 43 x 187 mm (antennas not incl.)
Antenna:	255 mm (not bent)
Net Weight:	0.53 kg
HAND-HELD AND POCKET TRANSMITTER	
Transmitter Power:	10mW(Max)
Modulation Type:	FM
Max Deviation:	± 25 KHz
Spurious Emission:	>40dB
Battery Voltage:	3V (2x1.5V AA Battery)
Continuous Using:	5 hours
Hand-held Mic. Dimensions (W/DxH):	$\varnothing 35$ (min) - $\varnothing 53$ (max) x 260 mm
Hand-held Mic. Net Weight:	0.335 kg (batteries included)
Pocket Transmitter Dimensions (WxHxD):	62 x 103 x 30 mm
Antenna (W/DxH):	$\varnothing 3$ x 9 mm
Pocket Transmitter Net Weight:	0.132 kg (batteries included)

14. FREQUENCY TABLE

From 823,00 MHz upward	From 826,00 MHz upward	From 829,00 MHz upward
823,03	826,03	829,03
823,06	826,06	829,06
823,09	826,09	829,09
823,12	826,12	829,12
823,15	826,15	829,15
823,18	826,18	829,18
823,21	826,21	829,21
823,24	826,24	829,24
823,27	826,27	829,27
823,30	826,30	829,30
823,33	826,33	829,33
823,36	826,36	829,36
823,39	826,39	829,39
823,42	826,42	829,42
823,45	826,45	829,45
823,48	826,48	829,48
823,51	826,51	829,51
823,54	826,54	829,54
823,57	826,57	829,57
823,60	826,60	829,60
823,63	826,63	829,63
823,66	826,66	829,66
823,69	826,69	829,69
823,72	826,72	829,72
823,75	826,75	829,75
823,78	826,78	829,78
823,81	826,81	829,81
823,84	826,84	829,84
823,87	826,87	829,87
823,90	826,90	829,90
823,93	826,93	829,93
823,96	826,96	829,96
823,99	826,99	829,99
824,02	827,02	830,02
824,05	827,05	830,05
824,08	827,08	830,08
824,11	827,11	830,11
824,14	827,14	830,14

From 823,00 MHz upward	From 826,00 MHz upward	From 829,00 MHz upward
824,20	827,20	830,20
824,23	827,23	830,23
824,26	827,26	830,26
824,29	827,29	830,29
824,32	827,32	830,32
824,35	827,35	830,35
824,38	827,38	830,38
824,41	827,41	830,41
824,44	827,44	830,44
824,47	827,47	830,47
824,50	827,50	830,50
824,53	827,53	830,53
824,56	827,56	830,56
824,59	827,59	830,59
824,62	827,62	830,62
824,65	827,65	830,65
824,68	827,68	830,68
824,71	827,71	830,71
824,74	827,74	830,74
824,77	827,77	830,77
824,80	827,80	830,80
824,83	827,83	830,83
824,86	827,86	830,86
824,89	827,89	830,89
824,92	827,92	830,92
824,95	827,95	830,95
824,98	827,98	830,98
825,01	828,01	831,01
825,04	828,04	831,04
825,07	828,07	831,07
825,10	828,10	831,10
825,13	828,13	831,13
825,16	828,16	831,16
825,19	828,19	831,19
825,22	828,22	831,22
825,25	828,25	831,25
825,28	828,28	831,28
825,31	828,31	831,31

From 823,00 MHz upward	From 826,00 MHz upward	From 829,00 MHz upward
824,17	827,17	830,17
825,37	828,37	831,37
825,40	828,40	831,40
825,43	828,43	831,43
825,46	828,46	831,46
825,49	828,49	831,49
825,52	828,52	831,52
825,55	828,55	831,55
825,58	828,58	831,58
825,61	828,61	831,61
825,64	828,64	831,64
825,67	828,67	831,67

From 823,00 MHz upward	From 826,00 MHz upward	From 829,00 MHz upward
825,34	828,34	831,34
825,70	828,70	831,70
825,73	828,73	831,73
825,76	828,76	831,76
825,79	828,79	831,79
825,82	828,82	831,82
825,85	828,85	831,85
825,88	828,88	831,88
825,91	828,91	831,91
825,94	828,94	831,94
825,97	828,97	831,97

15. WARRANTY AND SERVICE

All SOUNDSATION products feature a limited two-year warranty. This two-year warranty is specific to the date of purchase as shown on your purchase receipt.

The following cases/components are not covered from the above warranty:

- Any accessories supplied with the product
- Improper use
- Fault due to wear and tear
- Any modification of the product effected by the user or a third party

SOUNDSATION shall satisfy the warranty obligations by remedying any material or manufacturing faults free of charge at SOUNDSATION's discretion either by repair or by exchanging individual parts or the entire appliance. Any defective parts removed from a product during the course of a warranty claim shall become the property of SOUNDSATION.

While under warranty period, defective products may be returned to your local SOUNDSATION dealer together with original proof of purchase. To avoid any damages in transit, please use the original packaging if available. Alternatively you can send the product to SOUNDSATION SERVICE CENTER – Via Enzo Ferrari , 10 – 62017 Porto Recanati - Italy . In order to send a product to service center you need an RMA number. Shipping charges have to be covered by the owner of the product.

For further information please visit www.soundsationmusic.com

16. WARNING

PLEASE READ CAREFULLY – EU and EEA (Norway, Iceland and Liechtenstein) only



This symbol indicates that this product is not to be disposed of with your household waste, according to the WEEE Directive (2202/96/EC) and your national law.

This product should be handed over to a designated collection point, e.g., on an authorized one-for-one basis when you buy a new similar product or to an authorized collection site for recycling waste electrical and electronic equipment (WEEE).

Improper handling of this type of waste could have a possible negative impact on the environment and human health due to potentially hazardous substances that are generally associated with EEE. At the same time, your cooperation in the correct disposal of this product will contribute to the effective usage of natural resources.

For more information about where you can drop off your waste equipment for recycling, please contact your local city office, waste authority, approved WEEE scheme or your household waste disposal service.

SOMMARIO

1. DISIMBALLAGGIO	26
1.1. WF-U1300H	26
1.2. WF-U1300P	27
2. ACCESSORI	27
3. INTRODUZIONE	27
3.1. WF-U1300H	28
3.2. WF-U1300P	28
4. CARATTERISTICHE	28
5. CONTROLLI E FUNZIONI DEL RICEVITORE	29
5.1. Display del Ricevitore	30
6. INSTALLAZIONE DEL RICEVITORE	31
7. SETUP DEL SISTEMA	31
7.1. Modalità di Impostazione del Canale	31
7.2. Ricerca dei Canali Liberi	32
7.3. Funzione ACT	33
7.4. Impostazione della Potenza di Trasmissione	34
8. MICROFONO PALMARE	34
8.1. Uso Del Microfono Palmare	35
9. TRASMETTITORE TASCABILE E ARCHETTO	36
10. CONNESSIONI AUDIO	37
11. WF-RACK KIT1 E KIT2	38
11.1. WF-RACK KIT1	39
11.2. Installazione del WF-RACK KIT1	39
11.3. WF-RACK KIT2	40
11.4. Installazione del WF-RACK KIT2	40
12. SPECIFICHE	42
13. TABELLA DELLE FREQUENZE	43
14. GARANZIA E ASSISTENZA	45
15. AVVISO	45
16. DECLARATION OF CONFORMITY	46

IMPORTANTI SIMBOLI DI SICUREZZA



Il simbolo è usato per indicare che in questa apparecchiatura sono presenti alcuni terminali sotto tensione pericolosi, anche in condizioni di normale funzionamento, che possono costituire rischio di scosse elettriche o di morte.



Il simbolo viene utilizzato nella documentazione di servizio per indicare che uno specifico componente può essere sostituito esclusivamente dal componente specificato nella documentazione per motivi di sicurezza.



Terminale di Terra



Corrente/Tensione alternata



Terminale in tensione pericoloso

ON

Indica che l'apparato è acceso

OFF

Indica che l'apparato è spento

WARNING:

Precauzioni da osservare per evitare il pericolo di ferimento o di morte per l'utilizzatore.

CAUTION:

Precauzioni da osservare per evitare danni all'apparecchio.

IMPORTANTI ISTRUZIONI DI SICUREZZA

- ▶ Leggete queste istruzioni
- ▶ Conservate queste istruzioni
- ▶ Rispettate tutte le avvertenze
- ▶ Seguite tutte le istruzioni

ACQUA E UMIDITÀ

L'apparecchio deve essere protetto dall'umidità e dalla pioggia, non può essere usato in prossimità di acqua; ad esempio nei pressi di una vasca da bagno, di un lavandino, di una piscina, etc.

CALORE

L'apparecchio deve essere posto lontano da fonti di calore come radiatori, stufe o altri apparecchi che producono calore.

VENTILAZIONE

Non ostruite le prese d'aria per la ventilazione: ciò potrebbe provocare incendi. Installate sempre l'unità secondo le istruzioni del produttore.

INTRODUZIONE DI OGGETTI E LIQUIDI

Non introdurre oggetti o versare liquidi all'interno dell'apparato per ragioni di sicurezza.

ALIMENTAZIONE

L'apparecchio deve essere collegato alla sorgente di alimentazione elettrica del tipo indicato sull'apparecchio o descritto nel manuale. In caso contrario si potrebbero provocare danni al prodotto ed eventualmente all'utente. Staccate la spina in caso di temporali o quando non viene utilizzato per lunghi periodi di tempo.

COLLEGAMENTO ALLA RETE ELETTRICA

Il collegamento elettrico improprio può invalidare la garanzia del prodotto.

PULIZIA

Pulite solo con un panno asciutto. Non utilizzate solventi come benzolo o alcol.

MANUTENZIONE

Non effettuate qualsiasi altro intervento al di fuori di quelli descritti nel manuale. Per eventuale assistenza rivolgetevi solo a personale qualificato. Utilizzate solo accessori / componenti suggeriti dal produttore.

AVVISO

Vogliamo ricordare che un'alta pressione sonora non solo può danneggiare temporaneamente il senso dell'udito, ma può anche causare danni permanenti. Prestate attenzione affinché il volume sia sempre adeguato.

INTERFERENZE DOVUTE A TELEFONI CELLULARI

Usare telefoni cellulari vicino ad un radiomicrofono può causare rumori in audio. Se ciò avviene, allontanate il cellulare dai componenti del radiomicrofono.

17. DISIMBALLAGGIO

Il sistema a radiomicrofono WF-U1300 è composto dai seguenti componenti:

17.1. WF-U1300H

- ▶ 1x Ricevitore
- ▶ 1x Alimentatore esterno
- ▶ 1x Trasmettitore a mano
- ▶ 2x Batterie Stilo da 1.5V tipo AA
- ▶ 2x Antenne
- ▶ Questo Manuale

17.2. WF-U1300P

- ▶ 1x Ricevitore
- ▶ 1x Alimentatore esterno
- ▶ 1x Trasmettitore tascabile
- ▶ 1x Microfono ad archetto
- ▶ 2x Batterie Stilo da 1.5V tipo AA
- ▶ 2x Antenne
- ▶ Questo Manuale

 **ATTENZIONE: L'imballo non è un giocattolo! Tienilo fuori dalla portata dei bambini!!! Conserva tutte le parti dell'imballo per un futuro utilizzo.**

18. ACCESSORI

SOUNDSATION è in grado di fornire un'ampia gamma di accessori utili per l'utilizzo dei radiomicrofoni WIREFREE, come ad esempio Cavi, Mixer, Diffusori, Amplificatori, Supporti per casse, ecc.

Tutti gli articoli presenti a catalogo e compatibili sono stati testati professionalmente dal nostro team, quindi raccomandiamo vivamente di utilizzare prodotti ed accessori originali SOUNDSATION.

Chiedi al tuo negoziante autorizzato SOUNDSATION la lista degli accessori originali compatibili, in questo modo ti assicurerai una performance ottimale.

19. INTRODUZIONE

Il WF-U1300 è un radiomicrofono True Diversity UHF professionale con 300 canali ed interfaccia utente semplice ed intuitiva. True Diversity significa che il sistema di ricezione è dotato di due antenne, due circuiti di ricezione e di un dispositivo in grado di scegliere costantemente il segnale più forte e privo di interferenze.

Questo sistema è realizzato con tecnologia di altissimo livello che permette di integrare molte delle principali funzioni – quali la sezione di amplificazione, il processamento digitale del segnale, la sintesi delle frequenze PLL (Phase-Locked Loop) ed altro – in un singolo CHIP. Questo permette di offrire prestazioni altamente professionali in prodotti decisamente alla portata di tutti.

Il WF-U1300 è dotato inoltre di sistema di ricerca automatica delle frequenze e sistema IR per la sincronizzazione del canale tra ricevitore e trasmettitore in modo rapido. Inoltre, la tecnologia Digital Pilot permette non solo di monitorare il livello della ricezione e delle batterie sul trasmettitore, ma soprattutto di operare con sistemi multipli senza problemi.

Sono disponibili, infine, due kit opzionali per il montaggio di uno o due ricevitori rispettivamente su 1 o 2 unità rack standard da 19". Chiedete al vostro rivenditore SOUNDSATION o consultate il sito www.soundsationmusic.com

I sistemi WF-U1300 sono disponibili in 2 diverse configurazioni:

19.1. WF-U1300H

- 1x Ricevitore UHF True Diversity 300 Canali
- 1x Trasmettitore Palmare con Capsula Dinamica Cardioide Professionale

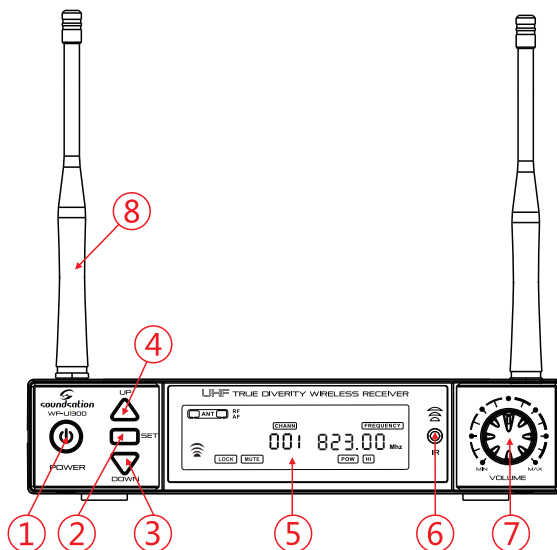
19.2. WF-U1300P

- 1x Ricevitore UHF True Diversity 300 Canali
- 1x Trasmettitore Tascabile
- 1x Microfono ad Archetto con Capsula Dinamica Cardioide Professionale

20. CARATTERISTICHE

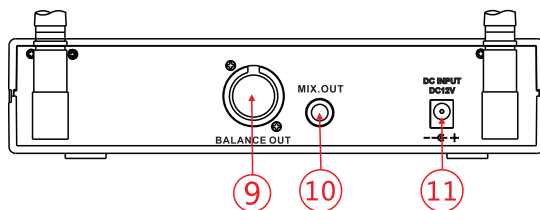
- ▶ Tecnologia UHF True Diversity per limitare al Massimo le interferenze
- ▶ 300 Frequenze e Sistema IR per un Setup rapido del sistema
- ▶ Banda UHF 823-832MHz
- ▶ Interfaccia utente semplice ed intuitiva con display LCD su Trasmettitore e Ricevitore
- ▶ Tecnologia Digital Pilot che consente l'uso di sistemi multipli
- ▶ Monitoraggio del livello di segnale AF e della carica delle batterie direttamente sul ricevitore
- ▶ Distanza Ideale 80m (senza ostacoli diretti)
- ▶ Microfono palmare professionale con capsula dinamica cardioide (modello WF-U1300H)
- ▶ Trasmettitore tascabile con connettore audio provvisto di filettatura di sicurezza (modello WF-1300P)
- ▶ Microfono ad archetto leggero e professionale con capsula dinamica cardioide ad alta-sensibilità (modello WF-1300P)
- ▶ Kit per montaggio a rack di 1 o 2 ricevitori in una unità (opzionali)

2I.CONTROLLI E FUNZIONI DEL RICEVITORE



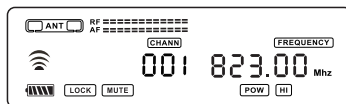
1. **Tasto Power:** accende e spegne il ricevitore. Tenete presente che all'accensione la funzione LOCK è attiva. Tenere premuto per qualche secondo il tasto SET per sbloccare il ricevitore e avere accesso ai parametri (fate riferimento al paragrafo "23. SETUP DEL SISTEMA" a pagina 31 per ulteriori dettagli).
2. **Tasto SET:** permette di accedere alle funzioni di modifica dei canali, ecc. (si veda il paragrafo "23. SETUP DEL SISTEMA" a pagina 31).
3. **Tasto DOWN:** In fase di modifica, permette di aumentare il valore del parametro selezionato.
4. **Tasto UP:** In fase di modifica, permette di diminuire il valore del parametro selezionato.
5. **Display LCD:** Visualizza tutte le funzioni del ricevitore e permette la programmazione facile ed intuitiva di tutti i parametri.
6. **Sensore ACT:** È il sensore ad infrarossi usato per sincronizzare il canale di funzionamento tra ricevitore e trasmettitore
7. **Manopola VOLUME:** Aumenta o diminuisce il livello di uscita delle uscite BALANCED e MIX.
8. **ANTENNE:** Ricevono i segnali in radiofrequenza dal trasmettitore. E' importante inserire sempre le due antenne in dotazione, facendo attenzione ad avvitare fino

in fondo, per garantire la massima efficienza del sistema.



9. **Uscita BALANCED:** È l'uscita audio bilanciata XLR di linea da collegare al vostro mixer o impianto audio. Per ulteriori dettagli sulle connessioni interne dei cavi bilanciati, fate riferimento al paragrafo "26. CONNESSIONI AUDIO" a pagina 37.
10. **Uscita MIX:** È l'uscita audio sbilanciata di linea con Jack da ¼" da usare nel caso di collegamento a mixer o impianti audio con connessioni sbilanciate.
11. **Ingresso di Alimentazione:** Collegare qui l'alimentatore da 12Vdc - 500mA minimo - in dotazione.

2.1. Display del Ricevitore



Indica quale delle due antenne sta ricevendo il segnale migliore.

Il soundsation WF-U1300 opera con tecnologia True Diversity; ciò significa che il ricevitore possiede al suo interno due circuiti di ricezione indipendenti, ciascuno con la propria antenna. A seconda della posizione del trasmettitore, eventuali ostacoli e la sua distanza dal ricevitore, il WF-U1300 sceglie il segnale radio migliore, garantendo quindi una qualità audio sempre impeccabile.

RF ===== Indica il livello di segnale in radiofrequenza

AF ===== Indica il livello di segnale audio

CHANN

001

Indica il canale attualmente utilizzato; vi sono 300 canali disponibili.

FREQUENCY

823.00 Mhz

Indica la frequenza attualmente utilizzata; vi sono 300 frequenze disponibili. Fate riferimento alla tabella "29. TABELLA DELLE FREQUENZE" a pagina 43 per conoscere la corrispondenza tra frequenze e canali.



Indica il livello delle batterie sul trasmettitore palmare o tascabile.



Quando lampeggia, indica che la funzione ACT (sincronizzazione del canale via IR dal ricevitore al trasmettitore) è attiva

LOCK

Indica che tutti i tasti sono bloccati. Tenere premuto per qualche secondo il tasto SET per sbloccare.

POW **HI** **LO**

Indica il livello di potenza del segnale dal trasmettitore palmare o tasca-bile. Le indicazioni HI o LO indicano rispettivamente una potenza elevata o scarsa.

22. INSTALLAZIONE DEL RICEVITORE

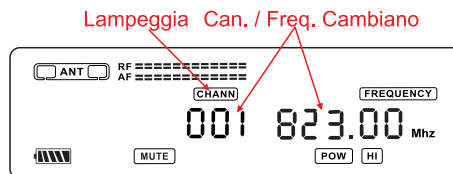
- ▶ Installare le due antenne posteriori assicurandosi di orientarle in modo perpendicolare rispetto al ricevitore.
- ▶ Collegare l'alimentatore in dotazione alla presa di alimentazione DC (11).
- ▶ Collegare l'uscita audio bilanciata (9) o quella sbilanciata (10) al proprio mixer o impianto di amplificazione usando dei cavi appropriati (consultare il paragrafo "26. CONNESSIONI AUDIO" a pagina 37 per ulteriori dettagli).
- ▶ Accendere il ricevitore premendo il tasto POWER (1); l'LCD (5) si illumina mostrando le impostazioni attuali del sistema.

23. SETUP DEL SISTEMA

Tenete presente che all'accensione del ricevitore la funzione LOCK è attiva. Tenere premuto per qualche secondo il tasto SET per sbloccare il ricevitore e avere accesso ai parametri. L'icona LOCK si spegnerà.

NOTA: Oltre alla funzione LOCK attiva, all'accensione il ricevitore è in MUTE (icona **MUTE** accesa sul display) fino a quando non si accende il trasmettitore e quest'ultimo non è allineato sullo stesso canale.

23.1. Modalità di Impostazione del Canale




Dopo aver sbloccato il ricevitore, l'icona LOCK si spegne e l'icona CHANN lampeggia, indicando che potete scegliere uno tra i 300 canali disponibili.

- ▶ Premete i tasti UP o DOWN per aumentare o diminuire il numero di canale e relativa

frequenza associata.

- ▶ Una volta aver individuato un canale privo di interferenze, tenete premuto per circa 2 secondi il tasto SET per passare automaticamente al modo ACT e trasmettere il canale al trasmettitore.

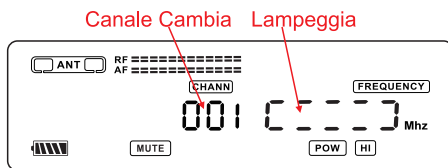
 **NOTA: Se durante la fase di scelta del canale non si preme alcun tasto per circa 10 secondi, il sistema torna automaticamente al modo LOCK. Occorre quindi sbloccare nuovamente il ricevitore per accedere nuovamente alla scelta dei canali.**

23.2. Ricerca dei Canali Liberi

Il SOUNDSATION WF-U1300 è dotato di una utilissima funzione di scansione automatica delle frequenze prive di interferenze o di altri segnali radio. Questo permette di scegliere sempre i canali con minor problemi e di rendere le operazioni di settaggio estremamente rapide.

Per effettuare automaticamente la ricerca dei canali liberi:


- ▶ Sbloccare – se non già fatto - il ricevitore tenendo premuto per un paio di secondi il tasto SET (l'icona LOCK sparisce).
- ▶ Premere brevemente il tasto SET per entrare nella ricerca automatica. Il display mostra la seguente schermata:



- ▶ Premere i tasti UP o DOWN per cercare in senso crescente o decrescente la prima frequenza libera.

Il numero di canale aumenterà (se avete premuto UP) o diminuirà (se avete premuto DOWN) fino al raggiungimento della prima frequenza libera. Il rettangolo di ricerca automatica lampeggia.

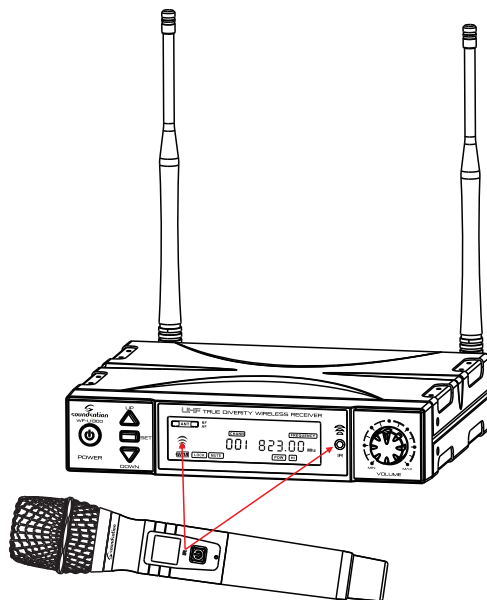
- ▶ Una volta individuata la frequenza, premere il tasto SET per passare al successivo invio dell'informazione via IR (funzione ACT, si veda il paragrafo successivo).

 **NOTA: Se non si preme alcun tasto per circa 10 secondi, l'icona di ricerca automatica si spegne e il sistema torna al modo di impostazione del canale. Se, dopo che il ricevitore è tornato all'impostazione del canale (icona CHANN lampeggiante) non si preme alcun tasto per altri 10 secondi, il sistema torna automaticamente al modo LOCK. Occorre quindi sbloccare nuovamente il ricevitore rifare tutte le procedure dal punto "23.1. Modalità di Impostazione del Canale".**

23.3. Funzione ACT

Il WF-U1300 è dotato di un sistema di trasmissione a infrarossi tra ricevitore e trasmettitore che facilita le impostazioni del trasmettitore palmare o tascabile dopo aver impostato il canale sul ricevitore. Per attivare la funzione ACT:

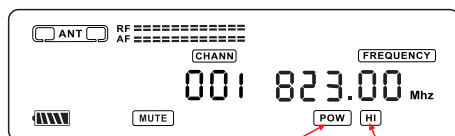
- ▶ All'accensione del ricevitore tenere premuto per qualche secondo il tasto SET per sbloccarlo. L'icona LOCK si spegnerà.
- ▶ Premete UP o DOWN per aumentare o diminuire il numero di canale manualmente o premere SET per entrare nella ricerca automatica (in quest'ultimo caso, premere UP o DOWN per cercare la prima frequenza libera).
- ▶ Tenete premuto per circa 2 secondi il tasto SET per passare automaticamente al modo ACT e trasmettere il canale al trasmettitore. L'icona ACT lampeggerà per circa 10 secondi.



- ▶ Avvicinare il più possibile il sensore IR del trasmettitore palmare o tascabile al sensore IR posto sul lato destro del display del ricevitore (fate riferimento ai paragrafi “24. MICROFONO PALMARE” a pagina 34 e “25. TRASMETTITORE TASCABILE E ARCHETTO” a pagina 36 per ulteriori dettagli sulla posizione dei rispettivi sensori).
- ▶ Una volta “agganciato” il trasmettitore, l'icona ACT del ricevitore smette di lampeggiare; subito dopo l'icona MUTE si spegne e si illuminano l'icona della batteria e quella POW HI, indicando che il ricevitore sta monitorando correttamente il trasmettitore.

- ▶ Anche su quest'ultimo il display mostra lo stesso canale impostato sul ricevitore e l'icona HI che indica un segnale radio sufficientemente elevato.
- ▶ Dopo circa 10 secondi, il sistema torna automaticamente al modo LOCK. A questo punto il sistema è completamente settato e pronto per operare.

23.4. Impostazione della Potenza di Trasmissione



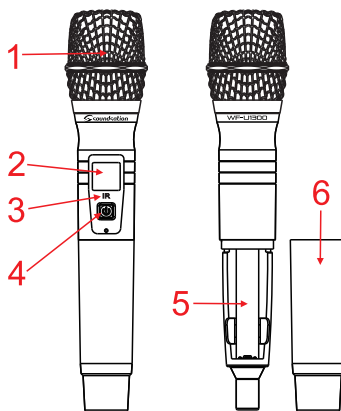
Lampeggia Imposta HI or LO

- ▶ Quando l'icona POW lampeggia sul display del ricevitore (di solito è seguita dall'icona LO), premere i tasti UP o DOWN per regolare la potenza di trasmissione: "HI" significa potenza sufficiente; "LO" potenza scarsa.

NOTA: Può sembrare una contraddizione il fatto che sia possibile "abbassare" la potenza di trasmissione di un radiomicrofono. Di solito le interferenze accadono perché la potenza è scarsa. Ciò non è sempre vero; infatti a volte un trasmettitore troppo vicino al ricevitore può creare dei problemi. In questi casi può essere opportuno diminuire la potenza di trasmissione per annullare tali inconvenienti.


24. MICROFONO PALMARE

Il sistema WF-U1300H è dotato di trasmettitore palmare con capsula dinamica cardioidale professionale.



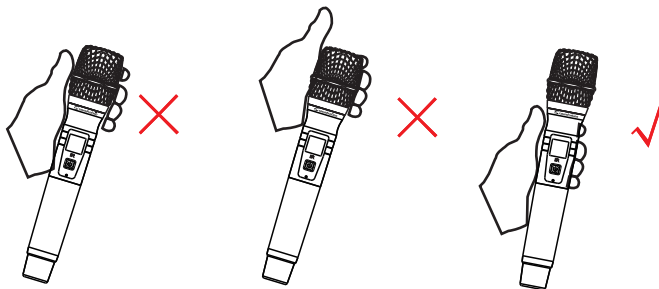
1. **Griglia Copri-Capsula:** Protegge la capsula microfonica e non deve mai essere

rimossa per evitare danni alle parti interne del microfono.

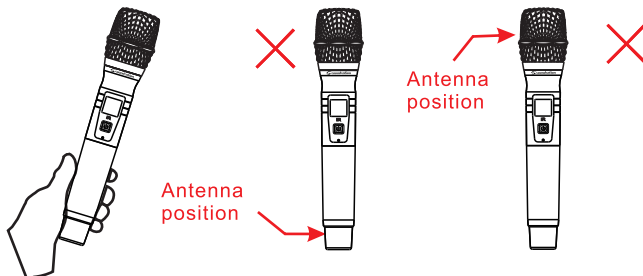
2. **Display LCD:** Il display retro-illuminato visualizza tutte le principali informazioni relative ai settaggi, così come il livello di carica delle batterie.
-  **NOTA:** Dopo circa 5 secondi la retroilluminazione si abbassa, riducendo il consumo delle batterie. L'illuminazione torna ad aumentare ogni volta che si preme il tasto Power.
3. **Sensore ACT:** Quando è attiva la funzione ACT di invio del canale via infrarossi, avvicinare questo sensore IR a quello del ricevitore per completare l'operazione.
 4. **Tasto Power:** Tenere premuto questo tasto per circa 2 secondi per accendere o spegnere il microfono.
 5. **Vano Porta-Batterie:** Inserire 2 batterie da 1.5V tipo AA facendo attenzione alla corretta polarità indicata sul fondo del vano porta-batterie.
 6. **Coperchio del Vano Porta-Batterie:** Svitare questo coperchio per accedere al vano porta-batterie ed inserire o sostituire le batterie.

24.1. Uso Del Microfono Palmare

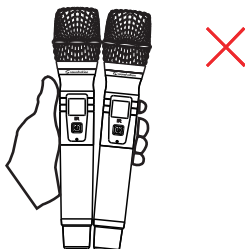
- ▶ Non afferrare il microfono tenendolo dai corpi-capsula.



- ▶ Non tenere il microfono dalla parte dell'antenna.



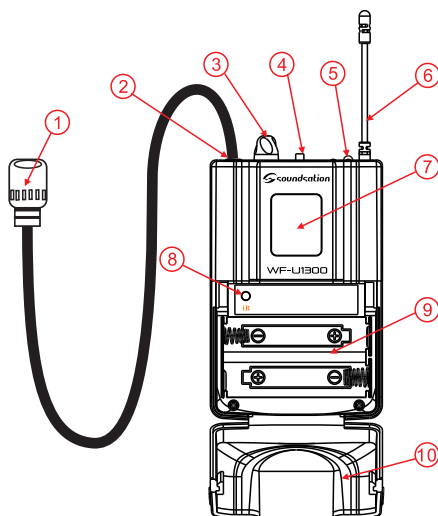
- ▶ Non usare due microfoni tenendoli troppo avvicinati l'un l'altro.



ATTENZIONE: la distanza ottimale tra la griglia e la bocca non deve eccedere i 15cm.


- ▶ Evitate di direzionare il microfono verso un diffusore per evitare l'effetto larsen che potrebbe danneggiare il vostro impianto.

25. TRASMETTITORE TASCABILE E ARCHETTO



1. Microfono: Il sistema WF-U1300P ha in dotazione un microfono ad archetto con capsula dinamica cardiode professionale (non rappresentato in figura).
2. Ingresso Microfonico: Inserire qui il connettore audio del microfono ad archetto. Il connettore è dotato di filettatura di sicurezza per evitare che il connettore si stacchi durante l'uso.

3. Volume: Regola il livello di segnale audio in ingresso al trasmettitore. Regolare questa manopola in modo che il segnale sul ricevitore non arrivi distorto.
4. Tasto POWER: Questo selettore è a 3 posizioni; quando è tutto verso la posizione OFF , il microfono è spento; quando è in posizione centrale, il microfono è attivo ma l'audio è disabilitato; quando infine è tutto verso la posizione ON, il microfono è funzionante e l'audio è attivo.

 **NOTA: La posizione intermedia di stand-by abilita il funzionamento del trasmettitore senza audio. Questa opzione è importante per evitare interferenze dovute all'assenza di segnale radio del trasmettitore. E' quindi consigliabile usare SEMPRE la posizione di stand-by quando non si usa il sistema ma esso è collegato ad un sistema audio (ad esempio durante una pausa in uno spettacolo). E' possibile riportare il selettore in posizione OFF (tutto in basso) solo quando si è certi che il volume del sistema di amplificazione è al minimo.**

5. LED Power: Si illumina quando il trasmettitore è acceso.
6. Antenna: Consente la trasmissione del segnale radio. Fare attenzione a non piegare o spezzare questo terminale.
7. LCD display: Il display retro-illuminato visualizza tutte le principali informazioni relative ai settaggi, così come il livello di carica delle batterie.

 **NOTA: Dopo circa 5 secondi la retroilluminazione si abbassa, riducendo il consumo delle batterie. L'illuminazione torna ad aumentare ogni volta che si preme il tasto Power.**

8. Sensore ACT: Quando è attiva la funzione ACT di invio del canale via infrarossi, avvicinare questo sensore IR a quello del ricevitore per completare l'operazione.
9. Vano Porta-Batterie: Inserire 2 batterie da 1.5V tipo AA facendo attenzione alla corretta polarità indicata sul fondo del vano porta-batterie.
10. Coperchio del Vano Porta-Batterie: Aprire questo coperchio per accedere per inserire o sostituire le batterie. Di seguito le istruzioni per la loro sostituzione:
 - ▶ Applicare una leggera pressione sugli estremi superiori dei lati del coperchio e aprirlo.
 - ▶ Inserire o sostituire le batterie facendo attenzione a rispettare la corretta polarità +/- indicata sul fondo.
 - ▶ Chiudete il coperchio per evitare di perdere le batterie durante l'utilizzo del trasmettitore.

26. CONNESSIONI AUDIO

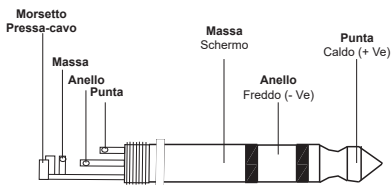
Per utilizzare il WF-U1300 avete bisogno di cavi di collegamento. Fate riferimento ai

disegni seguenti che mostrano il collegamento interno dei conduttori. Assicuratevi di usare solo cavi audio di alta qualità (visitate il sito www.soundsationmusic.com per ulteriori dettagli).

Uso Bilanciato dei Connettori XLR

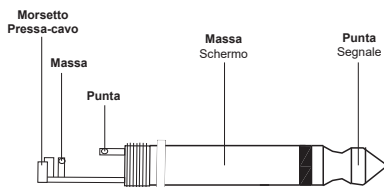


Uso Bilanciato di connettori jack da 6.3mm TRS



Potete ovviamente collegare anche apparecchiature con ingressi sbilanciati alle uscite del WF-U24 collegando i piedini 1 e 3 (massa e anello centrale nel caso di un jack da 6.3mm) come mostrato di seguito.

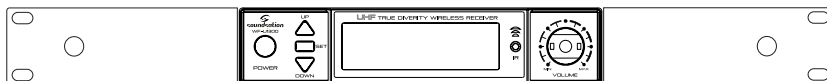
Uso Sbilanciato del connettore jack da 6.3mm TS



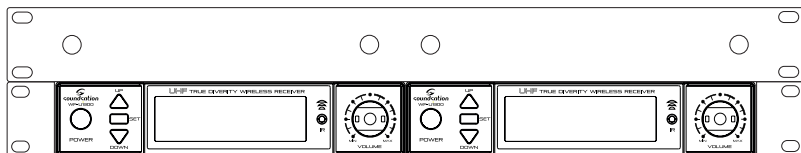
27. WF-RACK KIT1 & KIT2

I ricevitori della serie WF-U1300 possono essere montati in unità rack da 19" standard usando dei kit opzionali (contattare il vostro rivenditore SOUNDSATION o consultare il sito www.soundsationmusic.com per ulteriori dettagli) per adattare i ricevitori a qualsiasi rack da 19". Sono disponibili 2 modelli:

- ▶ **WF-RACK KIT1:** Permette di montare 1 ricevitore WF-U1300 in 1 unità rack da 19".

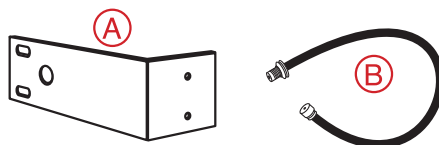


- **WF-RACK KIT2:** Per mettere di montare 2 ricevitori WF-U1300 in 2 unità rack da 19".



27.1. WF-RACK KIT1

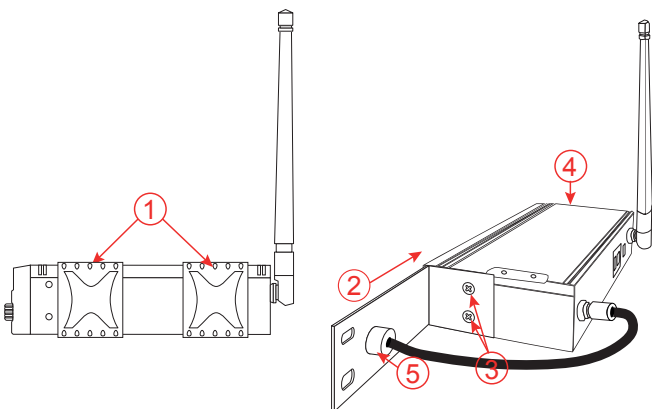
Il kit è composto da:



- A. 2x Flangia da ¼ unità rack
- B. 2x Cavo di estensione per Antenna
- C. 4x Viti di fissaggio

👉 **NOTA:** Il Kit non include viti di fissaggio per l'unità rack da 19".

27.2. Installazione del WF-RACK KIT1

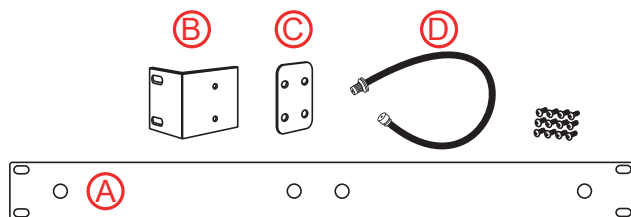


1. Rimuovere i due fianchi in plastica posti sui due lati del ricevitore
2. Posizionare la flangia A in modo che i due fori laterali corrispondano a quelli sul fianco del ricevitore.
3. Fissare le due viti come in figura.

4. Ripetere le stesse operazioni ai punti 1 e 3 di questo paragrafo sull'altro lato del ricevitore.
5. Svitare le antenne posteriori e inserire i cavi di estensione in dotazione al kit. Fissare quindi l'altro estremo al pannello in modo da posizionare successivamente le antenne del ricevitore esternamente al rack. La stessa operazione va effettuata per entrambe le antenne.

27.3. WF-RACK KIT2

Il kit è composto da:

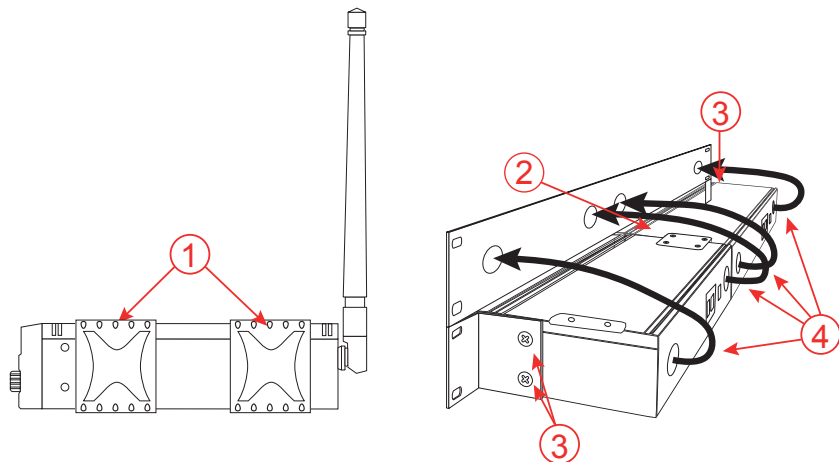


- A. 1x Placca da 19"
- B. 2x Flangia laterali
- C. 4x Staffe di accoppiamento
- D. 4x Cavi di estensione per Antenna
- E. 12x Viti di fissaggio

 **NOTA: Il Kit non include viti di fissaggio per l'unità rack da 19".**

27.4. Installazione del WF-RACK KIT2

1. Rimuovere i quattro fianchi in plastica posti rispettivamente sui due lati dei due ricevitori.
2. Affiancare i due ricevitori in modo che i fori sulla parte superiore ed inferiore coincidano come mostrato nella figura precedente e fissare due staffe di accoppiamento sul top e due sul fondo dei ricevitori usando le viti in dotazione.
3. Posizionare le flange laterali rispettivamente sul fianco sinistro e destro dei due ricevitori accoppiati usando le viti in dotazione.
4. Dopo aver fissato i due ricevitori ed il pannello da 19" (A) sul vostro rack, montate i 4 cavi di estensione delle antenne.



28. SPECIFICHE

SISTEMA	
Banda:	UHF 823-832MHz
Stabilizzazione della Frequenza:	< ± 30 ppm
Intervallo Dinamico:	>90dB
Distorsione Armonica Totale:	<0.5%
Risposta in Frequenza:	40Hz-15KHz ± 3 dB
Livello di Uscita Audio:	Bilanciata 400mV; Sbilanciata 400Mv
Dimensioni Imballo (LxAxP):	435 x 104 x 321 mm
Peso Lordo Imballo:	2.5 kg
RICEVITORE	
Alimentazione:	DC12V / 500mA
Consumo:	5W circa
Rapporto Segnale/Rumore:	>90dB
Sensibilità di Ricezione:	5dBuV
De-Enfasi:	75Us
Dimensioni (LXAXP):	210 x 43 x 187 mm (antenne non incluse)
Antenna:	255 mm (non piegate)
Peso Netto:	0.53 kg
TRASMETT. PALMARE E TASCABILE	
Potenza di Trasmissione:	10mW(Max)
Tipo di Modulazione:	FM
Deviazione Massima:	± 25 KHz
Emissione di Spurie:	>40dB
Alimentazione:	3V (2x Batterie da 1.5V tipo AA)
Durata Batterie:	5 ore
Dimensioni Microfono palmare (L/PxH):	$\varnothing 35$ (min) - $\varnothing 53$ (max) x 260 mm
Peso Netto Microfono Palmare:	0.335 kg (batterie incluse)
Dimensioni Trasm. Tascabile (LxAxP):	62 x 103 x 30 mm
Antenna (L/PxA):	$\varnothing 3$ x 9 mm
Peso Netto Trasmettitore Tascabile:	0.132 kg (batterie incluse)

29. TABELLA DELLE FREQUENZE

Da 823,00 MHz in poi	Da 826,00 MHz in poi	Da 829,00 MHz in poi
823,03	826,03	829,03
823,06	826,06	829,06
823,09	826,09	829,09
823,12	826,12	829,12
823,15	826,15	829,15
823,18	826,18	829,18
823,21	826,21	829,21
823,24	826,24	829,24
823,27	826,27	829,27
823,30	826,30	829,30
823,33	826,33	829,33
823,36	826,36	829,36
823,39	826,39	829,39
823,42	826,42	829,42
823,45	826,45	829,45
823,48	826,48	829,48
823,51	826,51	829,51
823,54	826,54	829,54
823,57	826,57	829,57
823,60	826,60	829,60
823,63	826,63	829,63
823,66	826,66	829,66
823,69	826,69	829,69
823,72	826,72	829,72
823,75	826,75	829,75
823,78	826,78	829,78
823,81	826,81	829,81
823,84	826,84	829,84
823,87	826,87	829,87
823,90	826,90	829,90
823,93	826,93	829,93
823,96	826,96	829,96
823,99	826,99	829,99
824,02	827,02	830,02
824,05	827,05	830,05
824,08	827,08	830,08
824,11	827,11	830,11
824,14	827,14	830,14

Da 823,00 MHz in poi	Da 826,00 MHz in poi	Da 829,00 MHz in poi
824,20	827,20	830,20
824,23	827,23	830,23
824,26	827,26	830,26
824,29	827,29	830,29
824,32	827,32	830,32
824,35	827,35	830,35
824,38	827,38	830,38
824,41	827,41	830,41
824,44	827,44	830,44
824,47	827,47	830,47
824,50	827,50	830,50
824,53	827,53	830,53
824,56	827,56	830,56
824,59	827,59	830,59
824,62	827,62	830,62
824,65	827,65	830,65
824,68	827,68	830,68
824,71	827,71	830,71
824,74	827,74	830,74
824,77	827,77	830,77
824,80	827,80	830,80
824,83	827,83	830,83
824,86	827,86	830,86
824,89	827,89	830,89
824,92	827,92	830,92
824,95	827,95	830,95
824,98	827,98	830,98
825,01	828,01	831,01
825,04	828,04	831,04
825,07	828,07	831,07
825,10	828,10	831,10
825,13	828,13	831,13
825,16	828,16	831,16
825,19	828,19	831,19
825,22	828,22	831,22
825,25	828,25	831,25
825,28	828,28	831,28
825,31	828,31	831,31

Da 823,00 MHz in poi	Da 826,00 MHz in poi	Da 829,00 MHz in poi
824,17	827,17	830,17
825,37	828,37	831,37
825,40	828,40	831,40
825,43	828,43	831,43
825,46	828,46	831,46
825,49	828,49	831,49
825,52	828,52	831,52
825,55	828,55	831,55
825,58	828,58	831,58
825,61	828,61	831,61
825,64	828,64	831,64
825,67	828,67	831,67

Da 823,00 MHz in poi	Da 826,00 MHz in poi	Da 829,00 MHz in poi
825,34	828,34	831,34
825,70	828,70	831,70
825,73	828,73	831,73
825,76	828,76	831,76
825,79	828,79	831,79
825,82	828,82	831,82
825,85	828,85	831,85
825,88	828,88	831,88
825,91	828,91	831,91
825,94	828,94	831,94
825,97	828,97	831,97

30. GARANZIA E ASSISTENZA

Tutti i prodotti SOUNDSATION dispongono di una garanzia di due anni. Questa garanzia di due anni è valida dalla data di acquisto, come indicato dal documento di acquisto.

- I seguenti casi / componenti non sono coperti dalla garanzia di cui sopra:
- Tutti gli accessori forniti con il prodotto
- Uso improprio
- Guasto dovuto all'usura
- Ogni modifica del prodotto effettuata dall'utente o da terzi

SOUNDSATION deve soddisfare gli obblighi di garanzia dovuti a eventuali materiali non conformi o difetti di fabbricazione, rimediando gratuitamente e a discrezione di SOUNDSATION sia mediante riparazione o sostituendo singole parti o l'intero apparecchio. Eventuali parti difettose rimosse da un prodotto durante il corso di una richiesta di garanzia diventano di proprietà di SOUNDSATION.

Durante il periodo di garanzia, i prodotti difettosi possono essere restituiti al rivenditore SOUNDSATION locale con prova di acquisto originale. Per evitare danni durante il trasporto, si prega di utilizzare l'imballo originale, se disponibile. In alternativa è possibile inviare il prodotto a SERVICE CENTER SOUNDSATION - Via Enzo Ferrari, 10 - 62017 Porto Recanati - Italia. Per poter inviare un prodotto al centro di assistenza è necessario un numero di RMA. Le spese di trasporto devono essere coperte dal proprietario del prodotto.

Per ulteriori informazioni visitate il sito: www.soundsationmusic.com

31. AVVISO

LEGGETE ATTENTAMENTE - solo per UE e SEE (Norvegia, Islanda e Liechtenstein).



Questo simbolo indica che il prodotto non deve essere smaltito con i rifiuti domestici, in base alla direttiva RAEE (2202/96/CE) e legislazione nazionale.

Il prodotto deve essere consegnato a un centro di raccolta differenziata o, in caso di ritiro dell'usato quando si acquista un nuovo prodotto simile, ad un rivenditore autorizzato per il riciclaggio di apparecchiature elettriche ed elettroniche (WEEE).

Un uso improprio di questo tipo di rifiuti può avere un impatto negativo sull'ambiente e sulla salute umana a causa di sostanze potenzialmente pericolose che sono generalmente associate alle apparecchiature elettriche ed elettroniche. Allo stesso tempo, la vostra collaborazione per il corretto smaltimento di questo prodotto contribuirà a un utilizzo efficace delle risorse naturali.

Per ulteriori informazioni sui punti di raccolta delle apparecchiature da rottamare, contattate il comune, l'autorità di gestione dei rifiuti, strutture coinvolte nel sistema RAEE o il servizio di smaltimento dei rifiuti domestici.

32. DECLARATION OF CONFORMITY



Importazione e Distribuzione Strumenti Musicali e Accessori

Via Enzo Ferrari, 10
62017 Porto Recanati - Italy
Tel: +39 071 7595011 Fax: +39 071 7595099
info@frenexport.it - www.frenexport.it

P.IVA E C.F. IT00260710439
Banca BANCA DELLE MARCHE spa
IBAN IT84 M060 5569 1310 0000 0001 952

TO: whom it may concern

EU DECLARATION OF CONFORMITY

We, FRENEXPOR SPA,
of Via Enzo Ferrari, 10 – 62017 Porto Recanati (MC) Italy

Declare under our sole responsibility that following products:

Models: SOUNDSATION WF-U1300H and WF-U1300P

Description: UHF 300-Channel True Diversity Wireless Systems

conform to the essential requirements of:

- Directive on the general safety of product 2001/95/CE
- European Low Voltage Directive 2006/95/EC
- European EMC Directive 2004/108/EC
- European Radio & Telecommunications Terminal Equipment (R&TTE) Directive 1999/5/EC

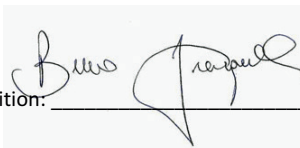
comply with the following standards (depend on type of product):

- EN 60065:2002 + A1:2006 + A11:2008 + A2:2010 + A12:2011
- EN 62479:2010
- ETSI EN 301 489-1 V1.9.2 (2011-09)
- ETSI EN 301 489-9 V1.4.1 (2007-11)
- ETSI EN 300 422-1 V1.5.1 (2015-06)
- ETSI EN 300 422-2 V1.4.1 (2015-06)

conform to RoHS directive 2011/65/EC
and related amendments.

Porto Recanati, 27/07/2016

Position: _____





CE 1622
MADE IN CHINA

This product is imported in EU by
Questo prodotto viene importato nella UE da
FREEXPORT SPA – Via Enzo Ferrari, 10 - 62017 Porto Recanati - Italy

www.soundsationmusic.com

Soundsation® is a registered trademark of FREEXPORT SPA - Italy
Soundsation® è un marchio di fabbrica registrato della FREEXPORT SPA - Italy



www.soundsationmusic.com